

NEW  
for 2009!

Occasions™



[www.skylineglobal.com](http://www.skylineglobal.com)

## Occasions™

Waste no time. Waste no space.



This extremely mobile and light-weight table is ideal for situations when quick setups and easy transportation is necessitated.

Quickly and easily present your brand, message or product to the masses with this sturdy and elegant table. A High quality fabric graphic adorns the front while the top and side panels may accept either graphic or laminate treatments.

Additional features include lighting options, internal storage shelves, and accessory poles for adding display shelving, literature holders or even small digital displays. Add a connector piece to the top and expand unlimited multiples for one large inline counter top.

Pack it up in a matter of minutes. All the components of the table are self-contained and compact into either a small soft-sided carrying case or hard shipping case.

#### Applications:

- Product Demo Station
- Work Station
- Lead Station
- Lecture Podium
- Sign-in/Guest Table
- Information Kiosk
- P.O.S.



#### Dimensions

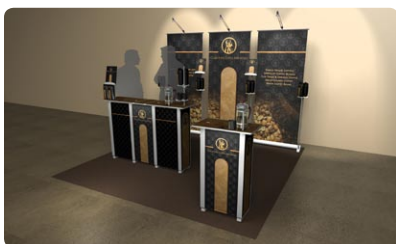
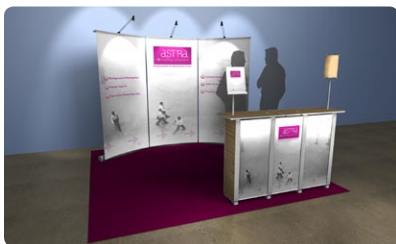
Single Table (setup)  
**66 cm x 40 cm x 100.3 cm**  
(26" x 15 ¾" x 39 ½")

Single Table (compacted in soft case)  
**15.2 cm x 40 cm x 100.3 cm**  
(6" x 15 ¾" x 39 ½")

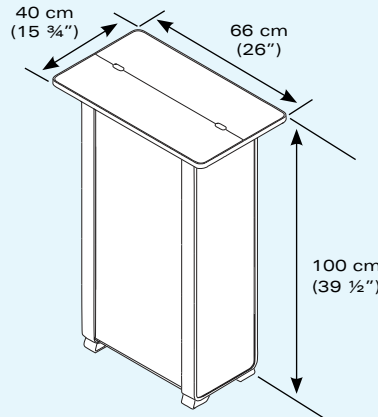


- 1 Lightweight yet durable composite frame
- 2 Dye Sub printed fabric
- 3 Inkjet Graphic or Laminate surface
- 4 Literature holder
- 5 2-piece top with inkjet or laminate surface
- 6 Table leaf for turning multiple tables into 1 single counter space or bar
- 7 Accesory pole with display shelves

# Occasions™



## Single Table

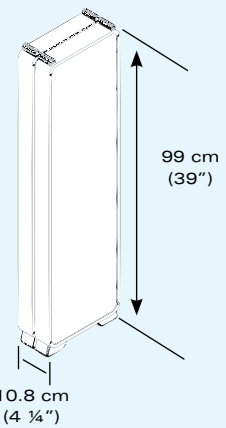


## Frame

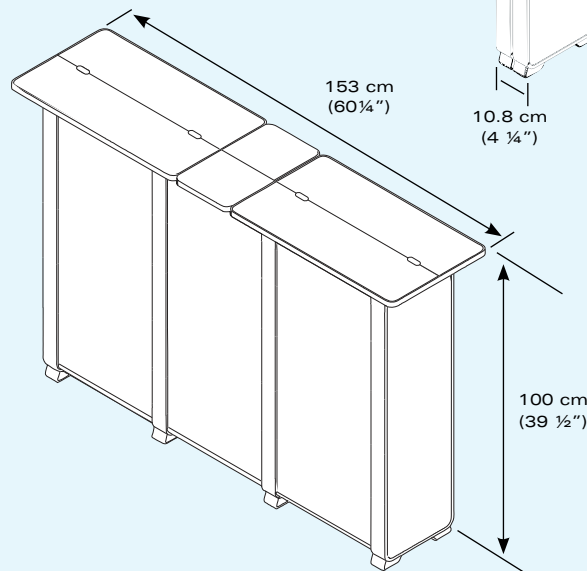
Silver painted composite

Single Table weight:  
**6.4 kg (14 lbs.)**

## Compacted Table



## Double Table with Leaf



Makes for a perfect in-store product demo station that is quick to setup and tear down.

Skyline International Headquarters  
3355 Discovery Road | St. Paul, MN 55121 | +1 (651) 695-7500 | info@skyline-intl.com

Skyline Exhibit Systems (Shanghai) Co., Ltd  
Building A-19, 6999 Chuansha Road | Pudong New Area, Shanghai 201202 | China | 86 21 5859 9900 x 201

[www.skylineglobal.com](http://www.skylineglobal.com)